

Tooling solutions for Power Generation Industry



PalbitUSA.com



NEW
POWER
GENERATION



SINCE 1916

RANGE OF PALBIT TOOLS - MILLING

Gama de ferramentas Palbit - Fresagem | Rango de herramientas Palbit - Fresado

Standard and tailor made milling tools. A wide set of products that can be used for almost every challenge.

PLUS 90845



PLUS 90945



Double sided insert;
Excellent surface finishing;
Up to 16 edges per insert.

PLUS 91245



Double sided insert;
Excellent surface finishing;
Up to 16 edges per insert.

RAD-INTEG



Outstanding surface finish;
Extensive tool life.

RANGE OF PALBIT TOOLS - MILLING

Gama de ferramentas Palbit - Fresagem | Rango de herramientas Palbit - Fresado

From face milling to profiling, we provide a complete range of high quality products.

TURBOMILL 34190



TURBOMILL 34290



Extreme heat resistance;
6 cutting edges per insert.

TOROMILL 33890 | 33990



Extreme heat resistance;
6 cutting edges per insert.

SPECIAL CUTTING TOOLS



Tailor made cutters for specific
projects.

RANGE OF PALBIT TOOLS - TURNING

Gama de ferramentas Palbit - Torneamento | Rango de herramientas Palbit - Torneado

Palbit brings to the market a complete set of cutting tools for multiple machining operations to increase your business performance.

ISO TURNING



Broad set of turning solutions for every material and operation.

GS PHH TURNING



First choice for HRSA medium to finishing turning;
Highly advanced cutting design.

RANGE OF PALBIT TOOLS - TURNING AND GROOVING

Gama de ferramentas Palbit - Torneamento e Sangramento | Rango de herramientas Palbit - Torneado y Ranurado

We seek on a daily basis to create the highest quality tools and provide a wide range array of solutions to our clients.

DOMX



The newest technology for HRSA
rough turning;
Unmatched performance.

HEAVING TURNING



Tough and long-lasting inserts for the
most demanding jobs.

GROOVING PLUS



Grooving solutions with high precision.

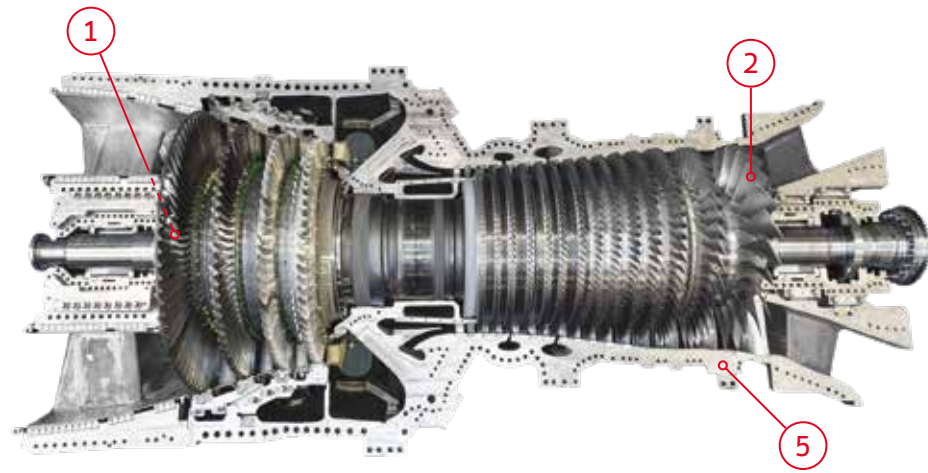
POWER GENERATION - GAS AND STEAM TURBINES

Geração de energia - turbinas a gás e a vapor | Generación de energía: turbinas de gas y vapor

In an ever-evolving world, power demands are increasing and new materials for turbines are being discovered. Palbit embraces this challenge with high quality products.

MAIN WORKPIECE PARTS:

GAS TURBINE



- 1 - TURBINE DISC
- 2 - TURBINE BLADE
- 3 - STATOR DIAPHRAGM
- 4 - THERMAL SHAFT
- 5 - TURBINE CASING

STEAM TURBINE



TURBINE DISC | Disco de Turbina | Disco de Turbina



DOMX
(roughing)



GROOVING PLUS

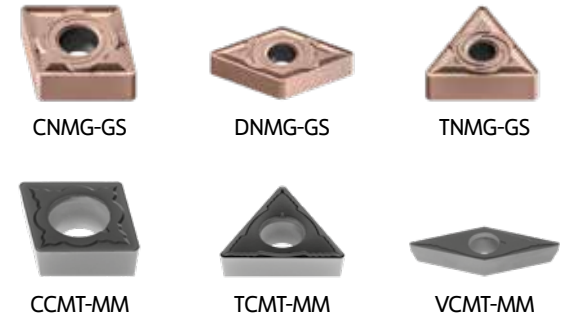
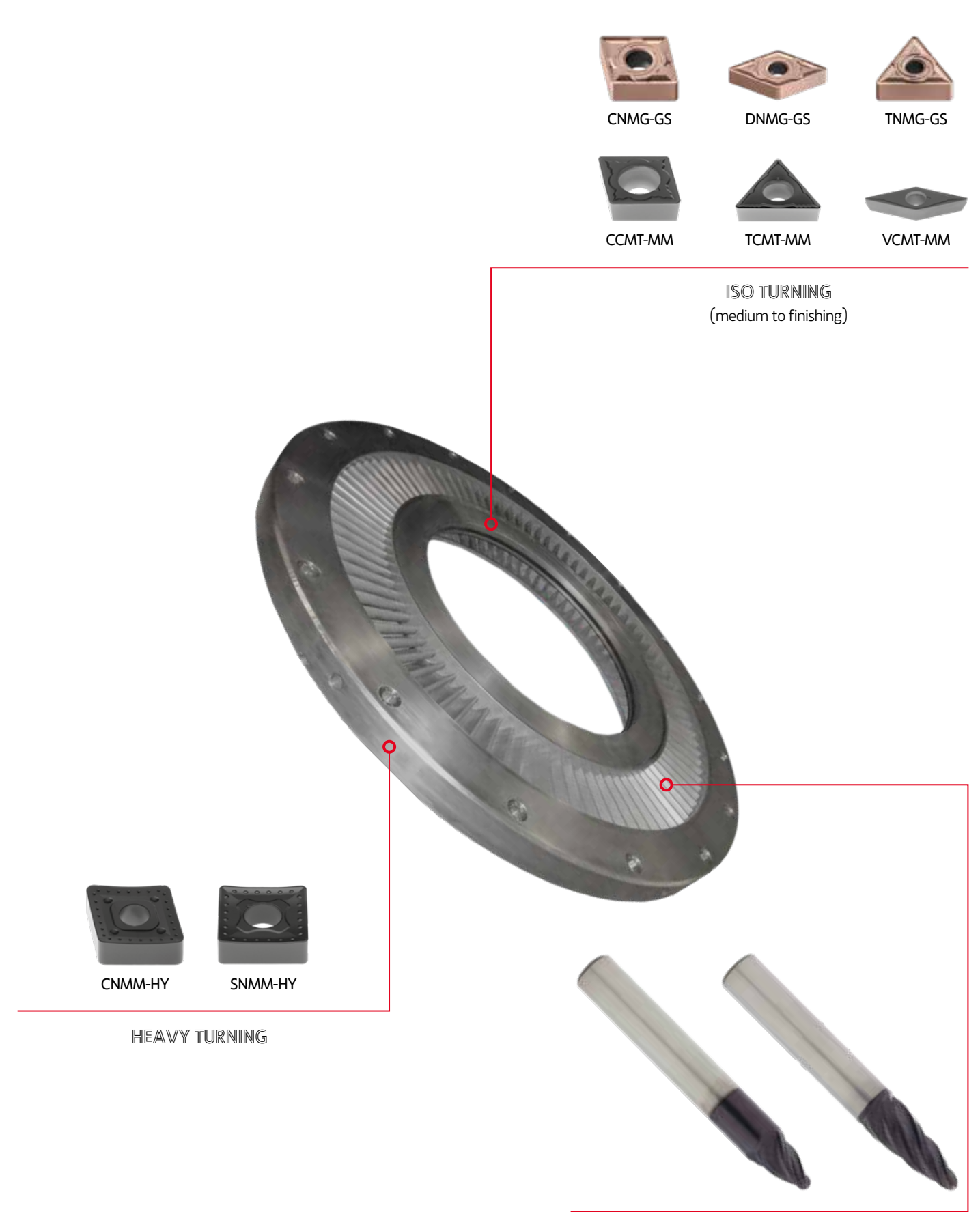


GS PHH TURNING
(medium to finish)



RAD-INTEG

TURBOMILL & TOROMILL

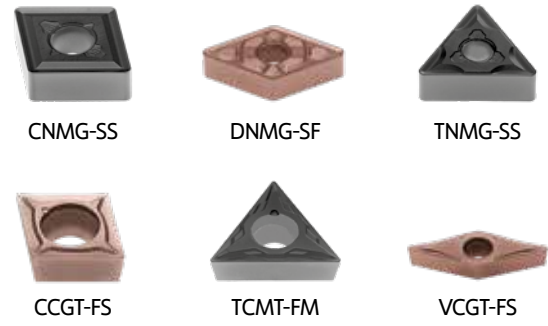


ISO TURNING
(medium to finishing)



HEAVY TURNING

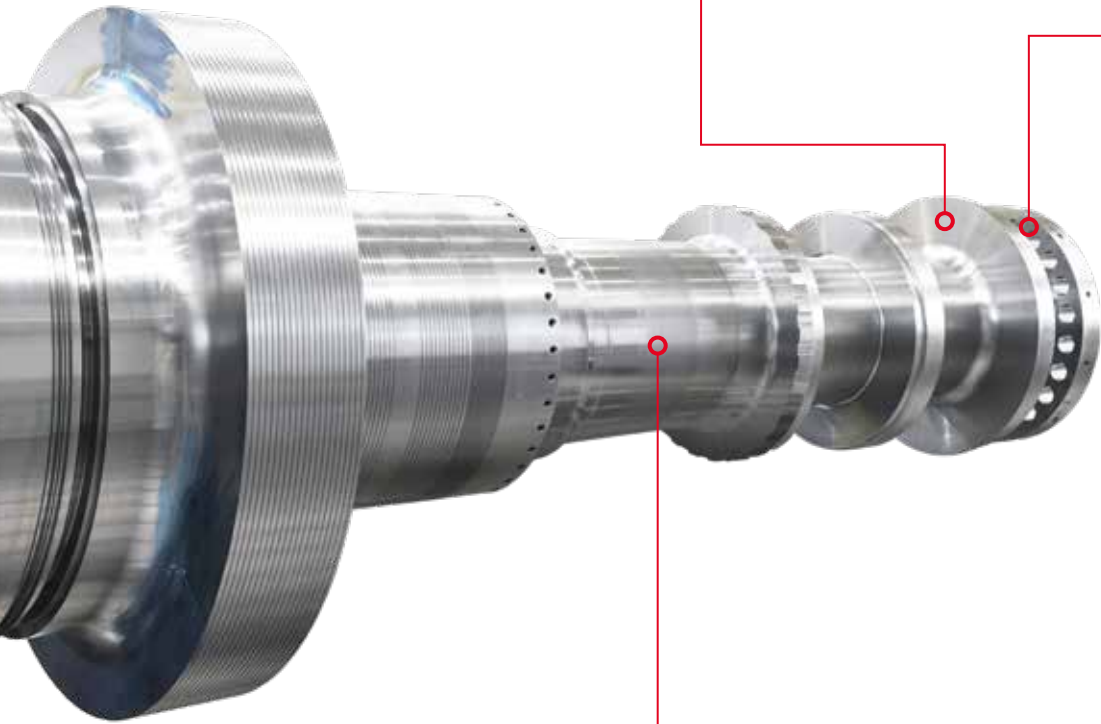
RAD-INTEG



ISO TURNING
(medium to finishing)



SPECIAL DISC CUTTER



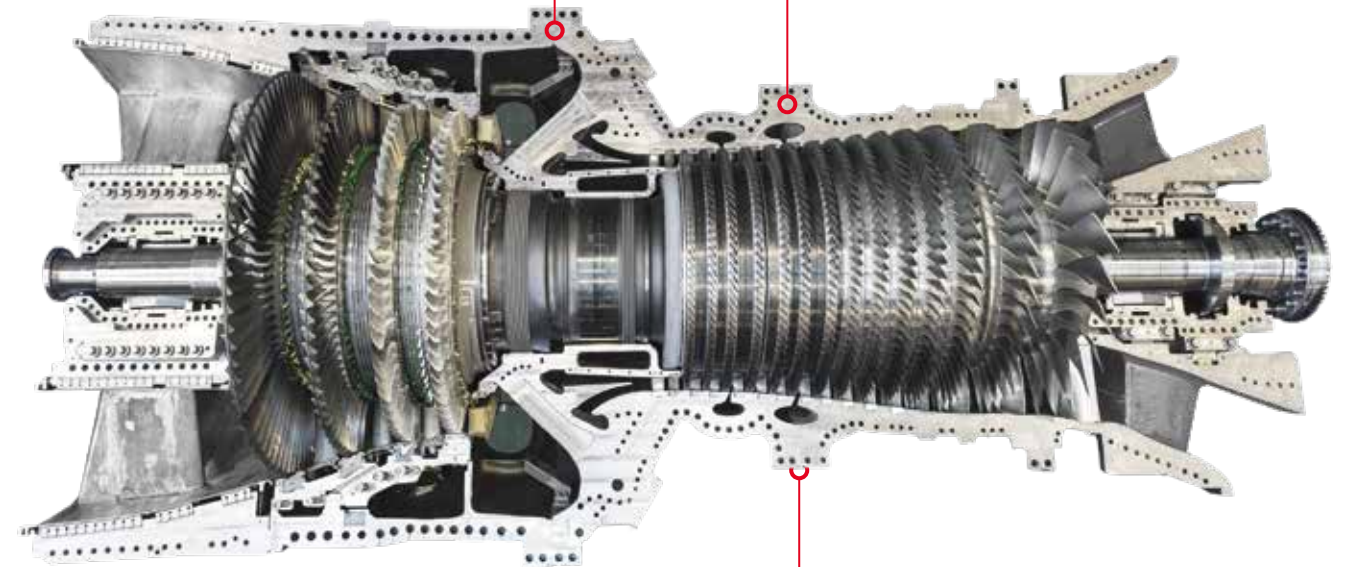
HEAVY TURNING



PLUS 90845 | 90945



PLUS 91245



TOROMILL 33890 | 33990



PalbitUSA.com



U.S. Partner:



15 Merrigan Way | South Deerfield, MA 01373

413-350-5200 | PilotPrecision.com

ISO 9001:2015



SINCE 1916